

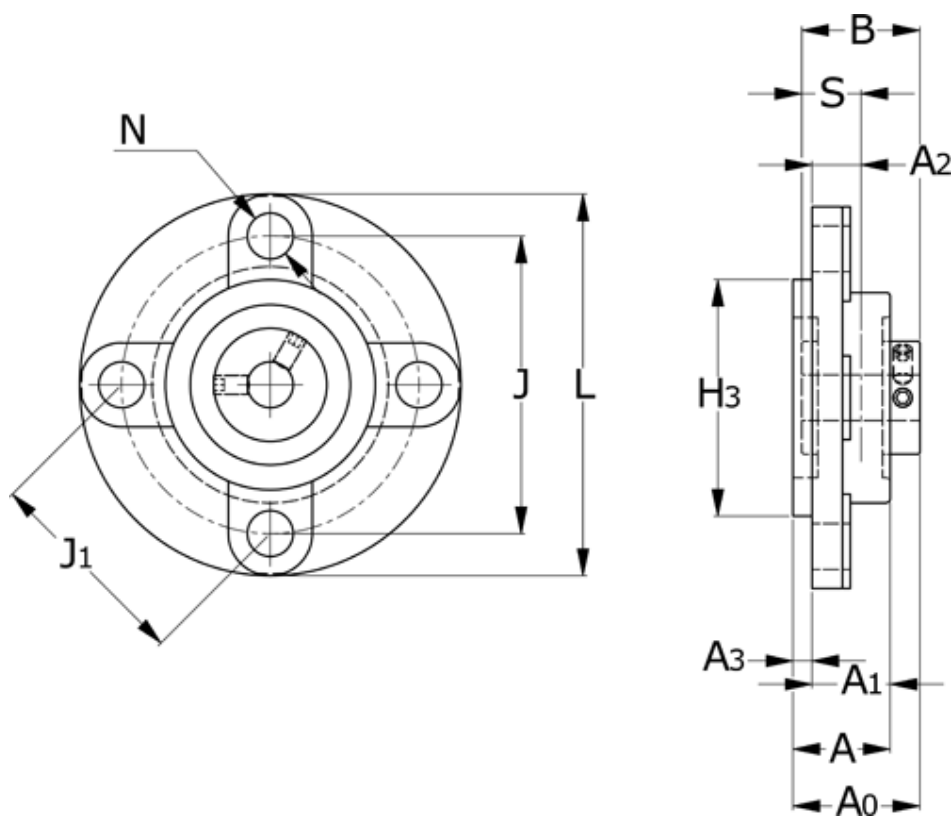
Data Sheet



Article number: 5725027209

Description: NSK Cirkular flange unit UCFC209D1

Measures



A = 38	J1 = 93.3
A0 = 52.2	L = 160
A1 = 26	N = 16
A2 = 10	S = 19
A3 = 12	Shaft = 45
B = 49.2	
H3 = 105	
J = 132	